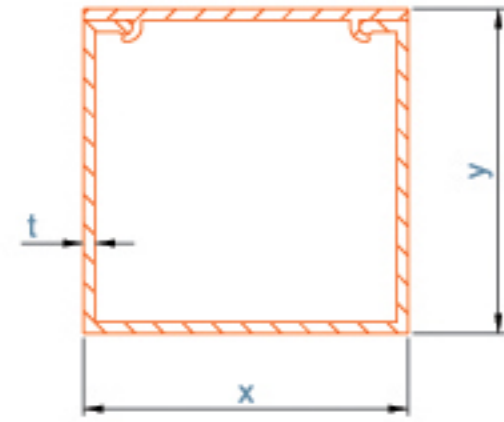


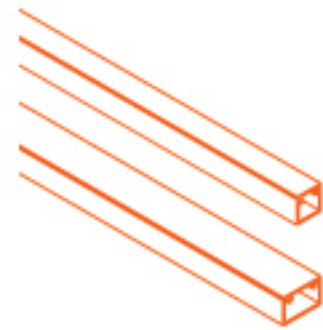
TRUNKING



TRUNKING CROSS SECTION

Material : **Super High Impact, Lead Free PVC-U**
Ref. Standards : BS 50085 and BS 4678 and Relevant IEE regulations
Standard colour : White (W)-RAL 9010
Add suffix 'W' with the Part Number, while ordering.
Temperature rating : - 5 °C to + 60 °C

Mini Trunking



Nominal Size mm	Part Number
16 x 16	MTS01 _{LF}
25 x 16	MTS02 _{LF}
38 x 16	MTS03 _{LF}
38 x 25	MTS04 _{LF}

Midi Trunking



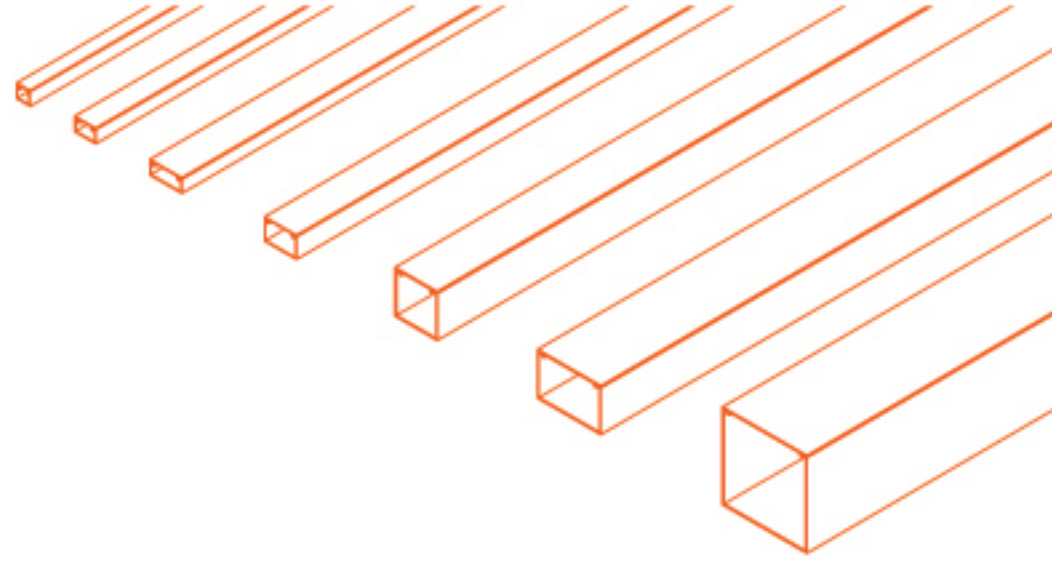
Nominal Size mm	Part Number
50 x 50	MTS05 _{LF}
75 x 50	MTS06 _{LF}
75 x 75	MTS07 _{LF}

Maxi Trunking



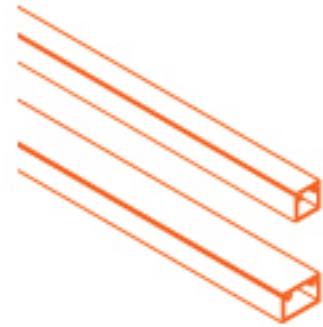
Nominal Size mm	Part Number
100 x 50	MTS08 _{LF}
100 x 100	MTS09 _{LF}
150 x 150	MTS10 _{LF}

TRUNKING



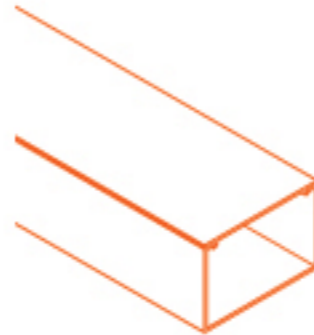
Material : **Super High Impact PVC-U**
Ref. Standards : BS 50085 and BS 4678 and Relevant IEE regulations
Standard colour : White (W)-RAL 9010
Add suffix 'W' with the Part Number, while ordering.
Temperature rating : - 5 °C to + 60 °C

Mini Trunking



Nominal Size mm	Part Number
16 x 16	MTS01
25 x 16	MTS02
38 x 16	MTS03
38 x 25	MTS04

Midi Trunking



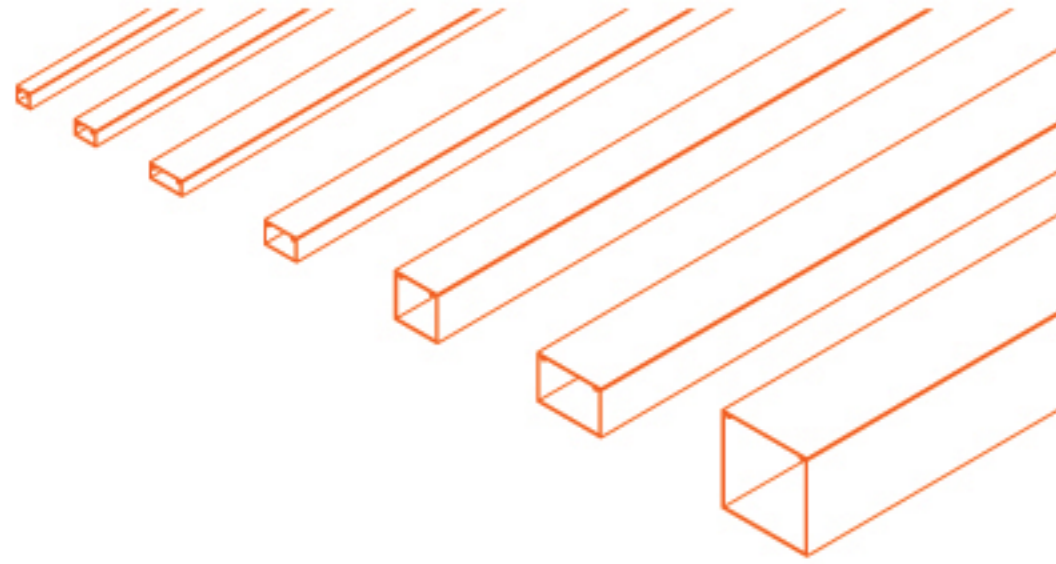
Nominal Size mm	Part Number
50 x 50	MTS05
75 x 50	MTS06
75 x 75	MTS07

Maxi Trunking



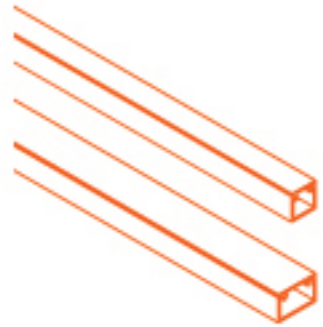
Nominal Size mm	Part Number
100 x 50	MTS08
100 x 100	MTS09
150 x 150	MTS10

TRUNKING



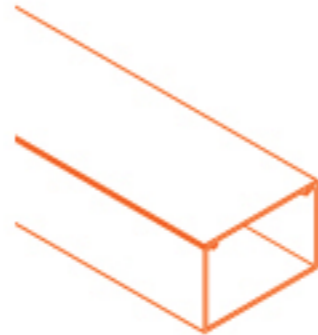
Material : Super High Impact, Lead Free - Low Smoke & Fume PVC-U
Ref. Standards : BS 50085, BS 4678, ASTM E-662 and Relevant IEE regulations
Standard colour : White (W)-RAL 9010
Add suffix 'W' with the Part Number, while ordering.
Temperature rating : - 5 °C to + 60 °C

Mini Trunking



Nominal Size mm	Part Number
16 x 16	MTS01 _{LSF}
25 x 16	MTS02 _{LSF}
38 x 16	MTS03 _{LSF}
38 x 25	MTS04 _{LSF}

Midi Trunking



Nominal Size mm	Part Number
50 x 50	MTS05 _{LSF}
75 x 50	MTS06 _{LSF}
75 x 75	MTS07 _{LSF}

Maxi Trunking



Nominal Size mm	Part Number
100 x 50	MTS08 _{LSF}
100 x 100	MTS09 _{LSF}
150 x 150	MTS10 _{LSF}