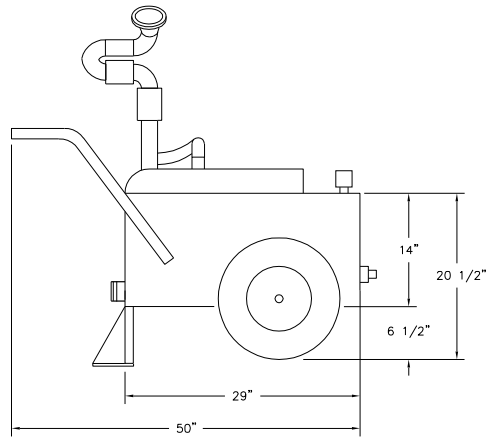


## Mobile Foam



self-contained foam fire-fighting unit consisting of a foam tank, supply hose, monitor and a self-educing nozzle. Water is introduced from a separate water source by virtue of the supply hose, through the tank to the monitor and out of the nozzle. While passing through the nozzle, a vacuum is created drawing the foam concentrate out of the tank and mixing it with the water prior to leaving the nozzle at the pre-set percentage. The nozzle being a multi-pattern type allows for a choice of patterns which in turn affect the range and stream width.