



PD Flowmeters since 1970

Basket Type Protection Strainers for P.D. Flowmeters



“PETROL INSTRUMENTS” basket type strainers are used for screening foreign particles present in the fluid in order to protect the PD flowmeters and to allow their proper function and durability.

CODE

MAX PRESSURE	
CODE	MPA
A	1
L	2
M	6,2
H	11
X	>11

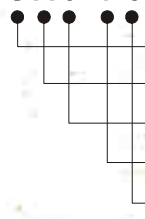
BODY MATERIALS		
CODE	BODY/COVERS	GASKET
A	CAST IRON	TEFLON
C	CARBON STEEL	TEFLON
E	AISI 304	TEFLON
F	AISI 316	TEFLON
G	AISI 316L	TEFLON

SCREENER MATERIALS	
CODE	SCREENER
7	AISI 304
8	AISI 316
9	AISI 316L

FEATURES

- ✓ Maximum effective screening area with minimum pressure losses.
- ✓ High strength of filter elements to resist pressure differentials there-across to assure stable operation.
- ✓ Simple design and suitable for operation in heavy conditions.
- ✓ Easy maintenance construction.

S A 8 - F 8



IDENTIFICATION CODES

- S Basket type strainer
- A Max operating pressure
- 8 Strainer size (see table at sheet 2)
- F Body materials
- 8 Screener materials

SCREENERS

- ✓ Mesh standard 40, 80, 200
- ✓ Options 20,60,100,160 mesh
- ✓ Special mesh on request

PETROL Instruments

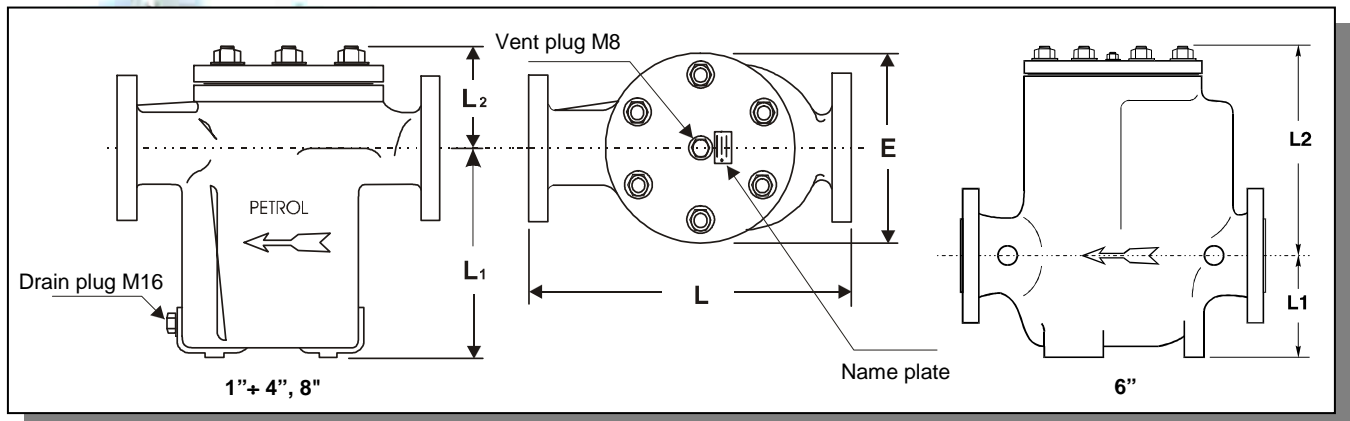
Via della Tecnica, 5 – 04011 APRILIA (LT)
Tel. +39-06-9201.941.r.a. – Fax +39-06-9201.9446
E-mail: info@petrol-instruments.com
Web: http://www.petrol-instruments.com



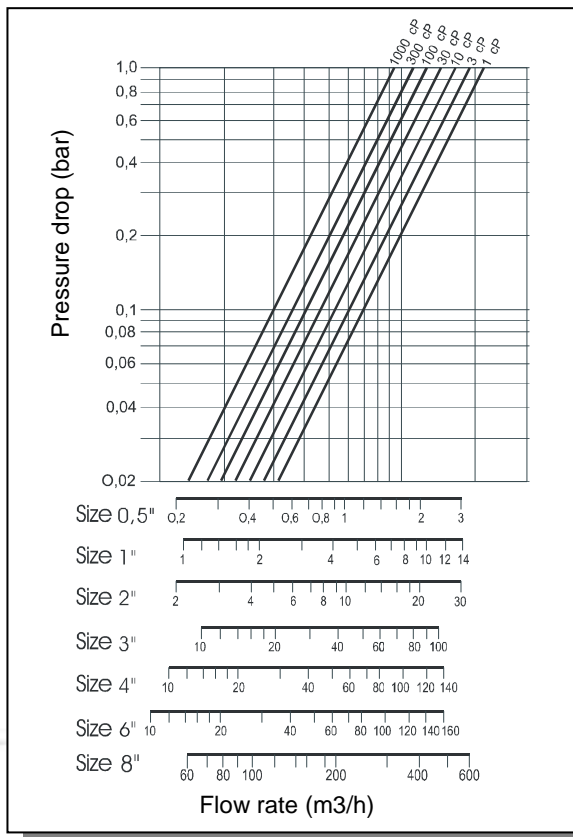
PD Flowmeters since 1970

Basket Type Protection Strainers for P.D. Flowmeters

STRAINERS DIMENSIONS



PRESSURE DROP



STRAINERS OUT-LINE DIMENSIONS				
SIZE	L	E	L ₁	L ₂
0,5"	200	105	150	61
1"	295	150	163	101
2"	320	174	198	106
3"	385	230	259	133
4"	515	280	325	166
6"	570	290	190	415
8"	660	343	460	469

STRAINERS OUT-LINE DIMENSIONS				
SIZE	L	E	L ₁	L ₂
0,5"	200	105	150	61
1"	295	150	163	101
2"	320	174	198	106
3"	415	230	259	141
4"	515	280	330	180
6"	595	290	190	415
8"	684	381	460	469

UNI PN 10/16 and ANSI 150

UNI PN 25/40 and ANSI 300

Strainer size correspond to equipment flanged end connections

OPTIONS

- ✓ "PETROL INSTRUMENTS" strainers may be supplied complete with:
 - ✓ stainless steel floating type air/vapor eliminator head (model 11-AV).
 - ✓ connections for differential pressure indicator / switch.
 - ✓ differential pressure indicator.
 - ✓ differential pressure switch.
- ✓ "PETROL INSTRUMENTS" strainers may be manufactured in other construction material in accordance to customer specific need.
- ✓ Flange Connections
 - ✓ Size 1" may be supplied flanged 1¼" and 1½"
 - ✓ Size 3" may be supplied flanged 2½"

PD Flowmeters since 1970

Basket Type Protection Strainers for P.D. Flowmeters



“PETROL INSTRUMENTS”

basket type strainers are used for screening foreign particles present in the fluid in order to protect the PD flowmeter and to allow their proper function and durability.

CODE

MAX PRESSURE	
CODE	MPA
A	1
L	2
M	6,2
H	11
X	>11

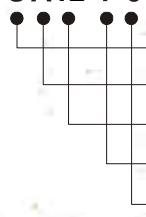
SCREENER MATERIALS	
CODE	SCREENER
7	AISI 304
8	AISI 316
9	AISI 316L

BODY MATERIALS		
CODE	BODY/COVERS	GASKET
C	CARBON STEEL	TEFLON
E	AISI 304	TEFLON
F	AISI 316	TEFLON
G	AISI 316L	TEFLON

FEATURES

- ✓ Maximum effective screening area with minimum pressure losses.
- ✓ High strength of filter elements to resist pressure differentials there-across to assure stable operation
- ✓ Simple design and suitable for operation in heavy conditions.
- ✓ Easy maintenance construction.

SA12-F 8



- | | |
|----|--------------------------------------|
| S | Basket type strainer |
| A | Max operating pressure |
| 12 | Strainer size (see table at sheet 2) |
| F | Body materials |
| 8 | Screeener materials |

IDENTIFICATION CODES

SCREENERS

- ✓ Mesh standard
40, 80, 200
- ✓ Options
20,60,100,160 mesh
- ✓ Special mesh on request

PETROL Instruments

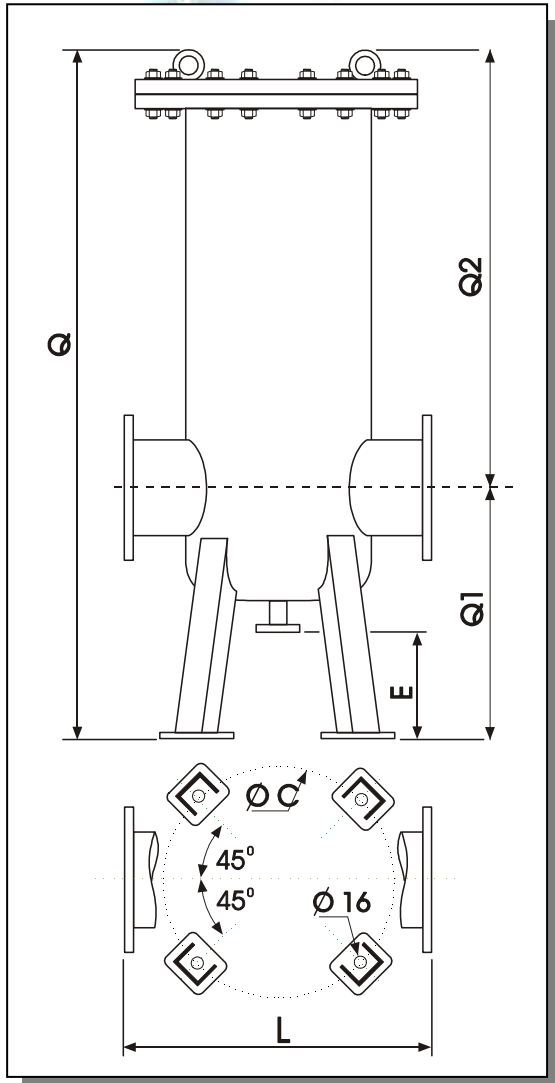
Via della Tecnica, 5 – 04011 APRILIA (LT)
Tel. +39-06-9201.941.r.a. – Fax +39-06-9201.9446
E-mail: info@petrol-instruments.com
Web: http://www.petrol-instruments.com



PD Flowmeters since 1970

Basket Type Protection Strainers for P.D. Flowmeters

STRAINERS DIMENSIONS



STRAINERS OUT-LINE DIMENSIONS						
SIZE	C	E	L	Q1	Q2	Q
10"	640	190	650	600	1170	1770
12"	540	190	900	665	1170	1845
16"	540	190	1100	800	1300	2100

UNI PN 10/16 and ANSI 150

Strainer size correspond to equipment flanged end connections

OPTIONS

- ✓ "PETROL INSTRUMENTS" strainers may be supplied complete with:
 - ✓ stainless steel floating type air/vapor eliminator head (model 11-AV).
 - ✓ connections for differential pressure indicator / switch.
 - ✓ differential pressure indicator.
 - ✓ differential pressure switch.
- ✓ "PETROL INSTRUMENTS" strainers may be manufactured in other construction material in accordance to customer specific need.
- ✓ **Flange Connections**
 - ✓ Size 10" may be supplied flanged 8"
 - ✓ Size 12" may be supplied flanged 10"
 - ✓ Size 16" may be supplied flanged 14"

PRESSURE DROP

